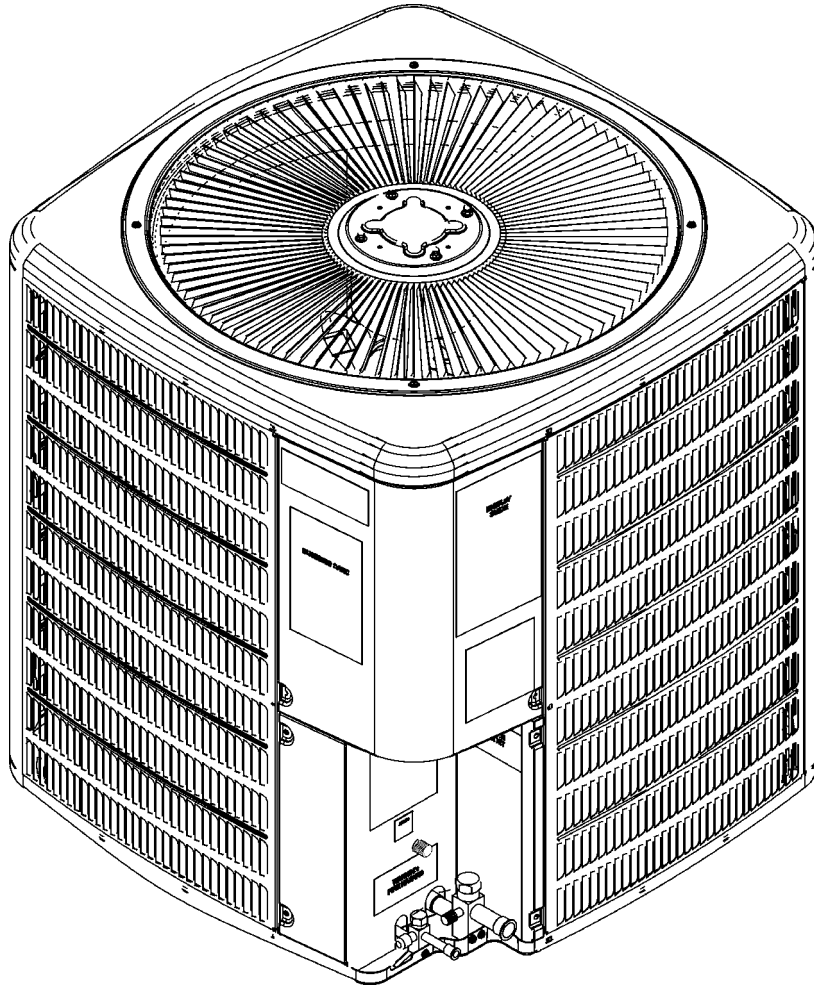


REPAIR PARTS

SSZ16 SEER Remote Heat Pumps

SSZ160241AA
SSZ160241AB
SSZ160241AC
SSZ160241AD
SSZ160241AE
SSZ160241AF
SSZ160241AG
SSZ160241AH
SSZ160361AA
SSZ160361AB
SSZ160361AC
SSZ160361AD
SSZ160361AE
SSZ160481AA
SSZ160481AB
SSZ160481AC
SSZ160481AD
SSZ160481AE
SSZ160601AA
SSZ160601AB
SSZ160601AC
SSZ160601AD
SSZ160601AE
SSZ160601BA
SSZ160601BB



This manual is to be used by qualified technicians only.

This manual replaces RP-362H.

© 2006-2010,2013 Goodman Manufacturing Company, L.P. ♦ 5151 San Felipe, Suite 500 ♦ Houston, TX 77056

Important Information

Index

Functional Parts List	3
Illustration and Parts	4 - 9

Views shown are for parts illustrations only, not servicing procedures.

Rev I: addition of models with 2 piece louver panels

Text Codes:

AR - As Required

NA - Not Available

NS - Not Shown

00000000 - See Note

QTY - Quantity Example (QTY 3) (If Quantity not shown, Quantity = 1)

M - Model Example (M1) (If M Code not shown, then part is used on all Models)

Expanded Model Nomenclature:

Example M1 - Model#1 M2 - Model#2 M3 - Model#3

Goodman Manufacturing Company, L.P. is not responsible for personal injury or property damage resulting from improper service. Review all service information before beginning repairs.

Warranty service must be performed by an authorized technician, using authorized factory parts. If service is required after the warranty expires, Goodman Manufacturing Company, L.P. also recommends contacting an authorized technician and using authorized factory parts.

Goodman Manufacturing Company, L.P. reserves the right to discontinue, or change at any time, specifications or designs without notice or without incurring obligations.

For assistance within the U.S.A. contact:
Consumer Affairs Department
Goodman Manufacturing Company, L.P.
7401 Security Way
Houston, Texas 77040
877-254-4729-Telephone
713-863-2382-Facsimile

For assistance outside the U.S.A. contact:
International Division
Goodman Manufacturing Company, L.P.
7401 Security Way
Houston, Texas 77040
713-861-2500-Telephone
713-863-2382-Facsimile

Functional Parts

Part

No: Description:

B12825171	3/8 BASE VALVE (OPEN)	0151R00009	TXV VALVE, 5-R410A (M14, M15, M16, M17, M19, M20)
CAP050350440RS	CAPACITOR 5/35/440V (M1, M2, M3, M4, M5, M6, M7, M8)	0151M00002	TXV VALVE, HCAE 3 ZX200 -R410A (M9, M10, M11, M12, M13)
CAP050450440RT	CAPACITOR 5/45/440V (M9, M10, M11, M12, M13, M14, M15, M16, M17, M18)	0151M00004	TXV VALVE, HCAE1.5ZX200- R410A (M1, M2, M3, M4, M5, M6, M7, M8)
CAP050800440RT	CAPACITOR 5/80/440V (M19, M20, M21, M22, M23, M24, M25)	0151R00032	VALVE, BASE 3/4" OPEN LEFT (M1, M2, M3, M4, M5, M6, M7, M8)
ZP20K5EPFV130	COMP,20000,208/230/60/1 (M1, M2, M3, M4, M5, M6, M7, M8)	0151R00033	VALVE, BASE 7/8" OPEN LEFT (M9, M10, M11, M12, M13, M14, M15, M16, M17, M18, M19, M20, M21, M22, M23, M24, M25)
ZP38K5EPFV130	COMP,37500,208/230/60/1 (M14, M15, M16, M17, M18)		
ZPS49K4EPFV230	COMP,49200,208/230/60/1/2STG (M24)		
ZPS49K5EPFV230	COMP,49200,208/230/60/1/2STG (M25)		
ZP29K5EPFV130	COMPRESSOR 29000, 208/230/60/1 (M9, M10, M11, M12, M13)		
ZPS51K4EPFV230	COMPRESSOR 52000, 208/230/60/1/2STG (M19, M20, M21, M22, M23)		
0131M00060	COND MOTOR 1/6 HP, 1 SP, 8 PL (M1, M2)		
0131M00016P	COND MOTOR 1/6 HP, 1 SP, 8 PL (M3, M4, M5, M6, M7, M8)		
0131M00012P	COND MOTOR 1/6 HP, 1 SP, 8 PL (M9, M10, M11, M12, M13, M14, M15, M16, M17, M18)		
0131M00038	COND MOTOR, 1/6HP,2 SP, 8 PL (M19, M20, M21, M22, M23, M24, M25)		
CONT1P025024V	CONTACTOR 25 AMP, 1P, 24V (M1, M2, M3, M4, M5, M6, M7, M8, M9, M10, M11, M12, M13)		
CONT1P030024V	CONTACTOR 30 AMP, 1P, 24V (M14, M15, M16, M17, M18)		
CONT2P040024V	CONTACTOR 40 AMP, 2P, 24V (M19, M20, M21, M22, M23, M24, M25)		
0130M00105	CONTROL, DEFROST		
0130M00106	DEFROST THERMOSTAT (M7, M8, M13, M18, M24, M25)		
0150M00008	FAN BLADE 22" TNT2203-25 (M2, M3, M4, M5, M6, M7, M8)		
10625738	FAN BLADE 26" ALUM CCW (M9, M10, M11, M12, M13, M14, M15, M16, M17, M18, M19, M20, M21, M22, M23, M24, M25)		
B1086764	FAN BLADE TYPE 2 (M1)		
0163R00007	HEATER, CRANKCASE 230V, 40W (M18, M24, M25)		
0163R00006	HEATER, CRANKCASE 230V, 40W (M7, M8, M13)		
0130M00088	LOW PRESSURE SWITCH (M7, M8, M13, M18, M24, M25)		
0130R00000S	LOW PRESSURE SWITCH (M1, M2, M3, M4, M5, M6, M9, M10, M11, M12, M14, M15, M16, M17, M19, M20, M21, M22, M23)		
PCBDM130	PCB, DEFROST CONTROL (M1, M2, M3, M4, M5, M6, M9, M10, M11, M12, M14, M15, M16, M17, M19, M20, M21, M22, M23)		
PCBDM160	PCB, DEFROST CONTROL (M7, M8, M13, M18, M24, M25)		
10135604	RELAY (M19, M20, M21, M22, M23, M24, M25)		
0151M00021	REVERSING VALVE (M9, M10, M11, M12, M13, M14, M15, M16, M17, M18, M19, M20, M21, M22, M23, M24, M25)		
0151M00019	REVERSING VALVE (M1, M2, M3, M4)		
0151M00018	REVERSING VALVE (M5, M6, M7, M8)		
B1225022	SOLENOID COIL		
0130M00089	SW-CUTOUT HI PRESS (M1, M2, M3, M4, M5, M6, M7, M8, M9, M10, M11, M12, M13, M14, M15, M16, M17, M18, M19, M20, M21, M22, M23, M24)		
0151M00010	TXV VALVE (M18, M21, M22, M23, M24, M25)		

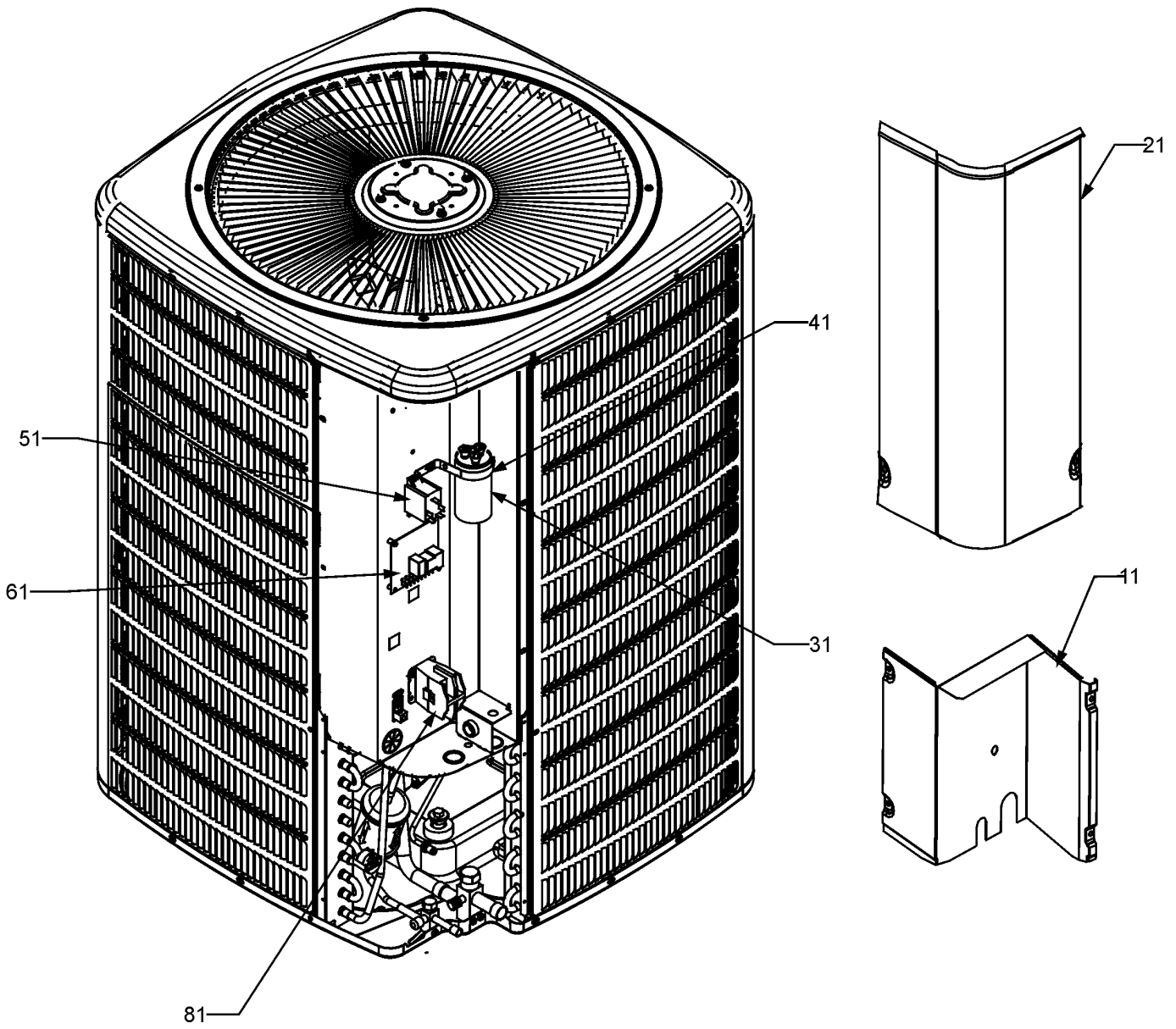
SPECIAL PARTS

0161R00009P NAMEPLATE

Expanded Model Nomenclature

M1 - SSZ160241AA
M2 - SSZ160241AB
M3 - SSZ160241AC
M4 - SSZ160241AD
M5 - SSZ160241AE
M6 - SSZ160241AF
M7 - SSZ160241AG
M8 - SSZ160241AH
M9 - SSZ160361AA
M10 - SSZ160361AB
M11 - SSZ160361AC
M12 - SSZ160361AD
M13 - SSZ160361AE
M14 - SSZ160481AA
M15 - SSZ160481AB
M16 - SSZ160481AC
M17 - SSZ160481AD
M18 - SSZ160481AE
M19 - SSZ160601AA
M20 - SSZ160601AB
M21 - SSZ160601AC
M22 - SSZ160601AD
M23 - SSZ160601AE
M24 - SSZ160601BA
M25 - SSZ160601BB

Control Cover / Control Box



Control Cover / Control Box

Ref. Part No:	No:	Description:	Ref. Part No:	No:	Description:
<i>Image 1:</i>			Expanded Model Nomenclature		
11	0121R00317	LOWER ACCESS PANEL (M19, M20, M21, M22, M23, M24, M25)	M1 -	SSZ160241AA	
11	0121R00318	LOWER ACCESS PANEL (M1, M2, M3, M4, M5, M6, M7, M8, M9, M10, M11, M12, M13, M14, M15, M16, M17, M18)	M2 -	SSZ160241AB	
21	0121R00053PDG	CONTROL COVER (M2, M3, M4, M5, M6, M7, M8, M10, M11, M12, M13, M15, M16, M17, M18)	M3 -	SSZ160241AC	
21	0121R00054PDG	CONTROL COVER (M20, M21, M22, M23, M24, M25)	M4 -	SSZ160241AD	
21	4400064	CONTROL COVER (M1, M9, M14)	M5 -	SSZ160241AE	
31	CAP050350440RS	CAPACITOR 5/35/440V (M1, M2, M3, M4, M5, M6, M7, M8)	M6 -	SSZ160241AF	
31	CAP050450440RT	CAPACITOR 5/45/440V (M9, M10, M11, M12, M13, M14, M15, M16, M17, M18)	M7 -	SSZ160241AG	
31	CAP050800440RT	CAPACITOR 5/80/440V (M19, M20, M21, M22, M23, M24, M25)	M8 -	SSZ160241AH	
41	4400065	CAPACITOR STRAP	M9 -	SSZ160361AA	
51	10135604	RELAY (M19, M20, M21, M22, M23, M24, M25)	M10 -	SSZ160361AB	
61	PCBDM130	PCB, DEFROST CONTROL (M1, M2, M3, M4, M5, M6, M9, M10, M11, M12, M14, M15, M16, M17, M19, M20, M21, M22, M23)	M11 -	SSZ160361AC	
61	PCBDM160	PCB, DEFROST CONTROL (M7, M8, M13, M18, M24, M25)	M12 -	SSZ160361AD	
81	CONT1P025024V	CONTACTOR 25 AMP, 1P, 24V (M1, M2, M3, M4, M5, M6, M7, M8, M9, M10, M11, M12, M13)	M13 -	SSZ160361AE	
81	CONT1P030024V	CONTACTOR 30 AMP, 1P, 24V (M14, M15, M16, M17, M18)	M14 -	SSZ160481AA	
81	CONT2P040024V	CONTACTOR 40 AMP, 2P, 24V (M19, M20, M21, M22, M23, M24, M25)	M15 -	SSZ160481AB	
NS	0161R00009P	NAMEPLATE	M16 -	SSZ160481AC	
			M17 -	SSZ160481AD	
			M18 -	SSZ160481AE	
			M19 -	SSZ160601AA	
			M20 -	SSZ160601AB	
			M21 -	SSZ160601AC	
			M22 -	SSZ160601AD	
			M23 -	SSZ160601AE	
			M24 -	SSZ160601BA	
			M25 -	SSZ160601BB	

Compressor / Tubing Assembly/Condenser

IMAGE 1

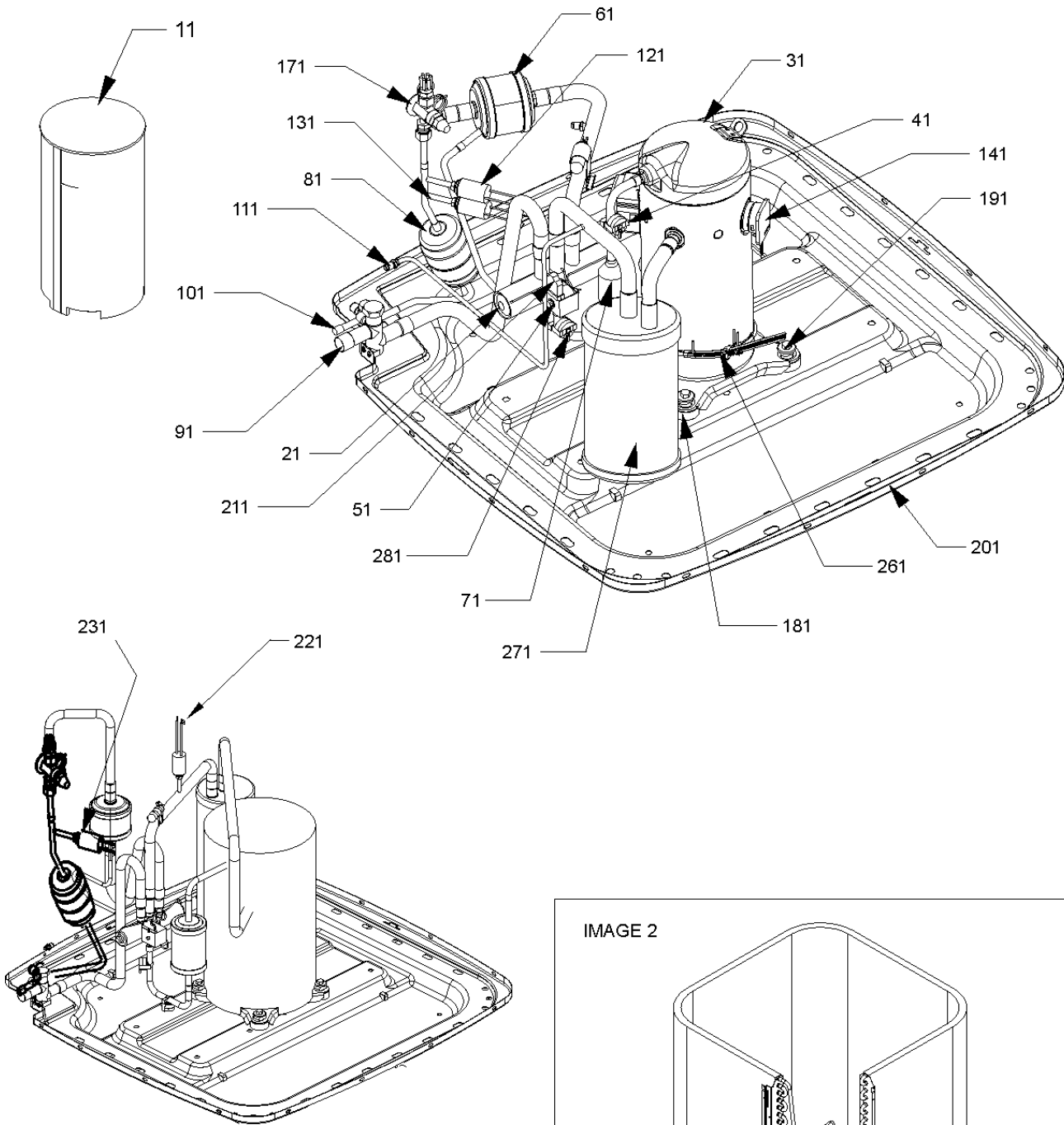
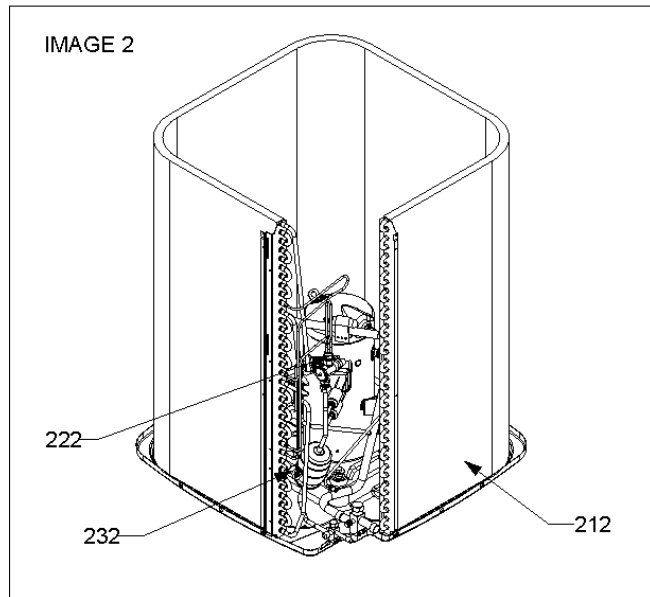


IMAGE 2



Compressor / Tubing Assembly/Condenser

Ref. Part No: No:	Description:	Ref. Part No: No:	Description:
<i>Image 1:</i>		<i>Image 1:</i>	
11 B1488806	COMPRESSOR SOUND BLANKET (M14, M15, M16, M17, M18, M19, M20, M21, M22, M23, M24, M25)	211 0130M00083	SOLENOID HARNESS W/1/4" TERM (M6, M7, M8, M12, M13, M17, M18, M23, M24, M25)
11 B1488807	COMPRESSOR SOUND BLANKET (M9, M10, M11, M12, M13)	221 0130M00088	LOW PRESSURE SWITCH (M7, M8, M13, M18, M24, M25)
11 B1488810	COMPRESSOR SOUND BLANKET (M1, M2, M3, M4, M5, M6, M7, M8)	231 0130M00089	SW-CUTOOUT HI PRESS (M7, M8, M13, M18, M24, M25)
21 0151M00018	REVERSING VALVE (M5, M6, M7, M8)	261 0163R00006	HEATER, CRANKCASE 230V, 40W (M7, M8, M13)
21 0151M00019	REVERSING VALVE (M1, M2, M3, M4)	261 0163R00007	HEATER, CRANKCASE 230V, 40W (M18, M24, M25)
21 0151M00021	REVERSING VALVE (M9, M10, M11, M12, M13, M14, M15, M16, M17, M18, M19, M20, M21, M22, M23, M24, M25)	271 0151L00008	ACCUMULATOR (M7, M8)
31 ZP20K5EPFV130	COMP,20000,208/230/60/1 (M1, M2, M3, M4, M5, M6, M7, M8)	271 0151L00009	ACCUMULATOR (M13)
31 ZP38K5EPFV130	COMP,37500,208/230/60/1 (M14, M15, M16, M17, M18)	271 0151L00010	ACCUMULATOR (M18, M24, M25)
31 ZPS49K4EPFV230	COMP,49200,208/230/60/1/2STG (M24)	281 0130M00106	DEFROST THERMOSTAT (M7, M8, M13, M18, M24, M25)
31 ZPS49K5EPFV230	COMP,49200,208/230/60/1/2STG (M25)	NS 0159R00002P	COMPRESSOR SCROLL HARNESS (M1, M2, M3, M4, M5, M6, M7, M8, M9, M10, M11, M12, M13, M14, M15, M16, M17, M18)
31 ZP29K5EPFV130	COMPRESSOR 29000, 208/230/60/1 (M9, M10, M11, M12, M13)	<i>Image 2:</i>	
31 ZPS51K4EPFV230	COMPRESSOR 52000, 208/230/60/1/2STG (M19, M20, M21, M22, M23)	212 0201R00342	COIL TUBING ASSY (M24, M25)
41 11046711	THERMOSTAT DISC (M19, M20, M21, M22, M23, M24, M25)	212 0201R00343	COIL TUBING ASSY (M7, M8)
51 B1225022	SOLENOID COIL	212 0201R00344	COIL TUBING ASSY (M13)
61 20270812	COMPENSATOR (M21, M22, M23, M24, M25)	212 0201R00345	COIL TUBING ASSY (M18)
61 0151R00005	COMPENSATOR 16 OZ (M9, M10, M11, M12, M13, M14, M15, M16, M17, M18, M19, M20)	212 0201R00074	TUBING ASSY, COND COIL (M1, M2, M3, M4, M5, M6)
61 0151R00006	COMPENSATOR 3.5 (M1, M2, M3, M4, M5, M6, M7, M8)	212 0201R00075	TUBING ASSY, COND COIL (M9, M10, M11, M12)
71 0162R00007	MUFFLER 1/2 X 1/2 (M4, M5, M6, M7, M8, M11, M12, M13, M16, M17, M18, M22, M23, M24, M25)	212 0201R00076	TUBING ASSY, COND COIL (M14, M15, M16, M17, M19, M20)
71 B1219301	MUFFLER 1/2 X 1/2 (M21)	212 0201R00147	TUBING ASSY, COND COIL (M21, M22, M23)
81 20485201	BI-FLOW FILTER DRIER	222 0162M00027	FLOWRATOR .188 (M9, M10, M11, M12, M13, M14, M15, M16, M17, M18, M19, M20, M21, M22, M23, M24, M25)
91 0151R00032	VALVE, BASE 3/4" OPEN LEFT (M1, M2, M3, M4, M5, M6, M7, M8)	222 0162M00045	FLOWRATOR .188 (M1, M2, M3, M4, M5, M6, M7, M8)
91 0151R00033	VALVE, BASE 7/8" OPEN LEFT (M9, M10, M11, M12, M13, M14, M15, M16, M17, M18, M19, M20, M21, M22, M23, M24, M25)	232 0130M00105	CONTROL, DEFROST
101 B12825171	3/8 BASE VALVE (OPEN)	NS 0163M00087	ACCESS FITTING (M7, M8, M13, M18, M24, M25)
111 B1787000	VALVE CORE	NS B1373305	ACCESS FITTING
121 0130R00000S	LOW PRESSURE SWITCH (M1, M2, M3, M4, M5, M6, M9, M10, M11, M12, M14, M15, M16, M17, M19, M20, M21, M22, M23)	NS B1373310	ACCESS FITTING (M1, M2, M3, M4, M5, M6, M9, M10, M11, M12, M14, M15, M16, M17, M19, M20, M21, M22, M23)
131 0130M00089	SW-CUTOOUT HI PRESS (M1, M2, M3, M4, M5, M6, M9, M10, M11, M12, M14, M15, M16, M17, M19, M20, M21, M22, M23)	NS 0163M00175	CAP WITH O-RING
141 20468101	COMPRESSOR SOLENOID CABLE (M19, M20, M21, M22, M23, M24, M25)	NS 0161R00002P	CONDUIT (M1, M2, M3, M4, M5, M6, M7, M8)
171 0151M00010	TXV VALVE (M18, M21, M22, M23, M24, M25)	NS 0161R00004P	CONDUIT (M9, M10, M11, M12, M13, M14, M15, M16, M17, M18, M19, M20, M21, M22, M23, M24, M25)
171 0151R00009	TXV VALVE, 5-R410A (M14, M15, M16, M17, M19, M20)	NS B1796633	TEFLON O-RING (QTY 2)
171 0151M00002	TXV VALVE, HCAE 3 ZX200 -R410A (M9, M10, M11, M12, M13)		
171 0151M00004	TXV VALVE, HCAE1.5ZX200- R410A (M1, M2, M3, M4, M5, M6, M7, M8)		
181 B1339533	COMPRESSOR GROMMET (QTY 4)		
191 M0221641	TF SHOULDER SCREW (QTY 4)		
201 0121R00006PDG	BASE PAN 29" (M2, M3, M4, M5, M6, M7, M8)		
201 4400011PDG	BASE PAN 29" (M1)		
201 0121R00007PDG	BASE PAN 35" (M10, M11, M12, M13, M15, M16, M17, M18, M20, M21, M22, M23, M24, M25)		
201 4400012PDG	BASE PAN, 35" PNT (M9, M14, M19)		
211 B1225020	SOLENOID COIL CORD W/1/4"TERMINAL (M1, M2, M3, M4, M5, M9, M10, M11, M14, M15, M16, M19, M20, M21, M22)		

Compressor / Tubing Assembly/Condenser

Ref. Part

No: No:

Description:

Ref. Part

No: No:

Description:

Expanded Model Nomenclature

M1 - SSZ160241AA
M2 - SSZ160241AB
M3 - SSZ160241AC
M4 - SSZ160241AD
M5 - SSZ160241AE
M6 - SSZ160241AF
M7 - SSZ160241AG
M8 - SSZ160241AH
M9 - SSZ160361AA
M10 - SSZ160361AB
M11 - SSZ160361AC
M12 - SSZ160361AD
M13 - SSZ160361AE
M14 - SSZ160481AA
M15 - SSZ160481AB
M16 - SSZ160481AC
M17 - SSZ160481AD
M18 - SSZ160481AE
M19 - SSZ160601AA
M20 - SSZ160601AB
M21 - SSZ160601AC
M22 - SSZ160601AD
M23 - SSZ160601AE
M24 - SSZ160601BA
M25 - SSZ160601BB

Cabinet Top / Side Panels

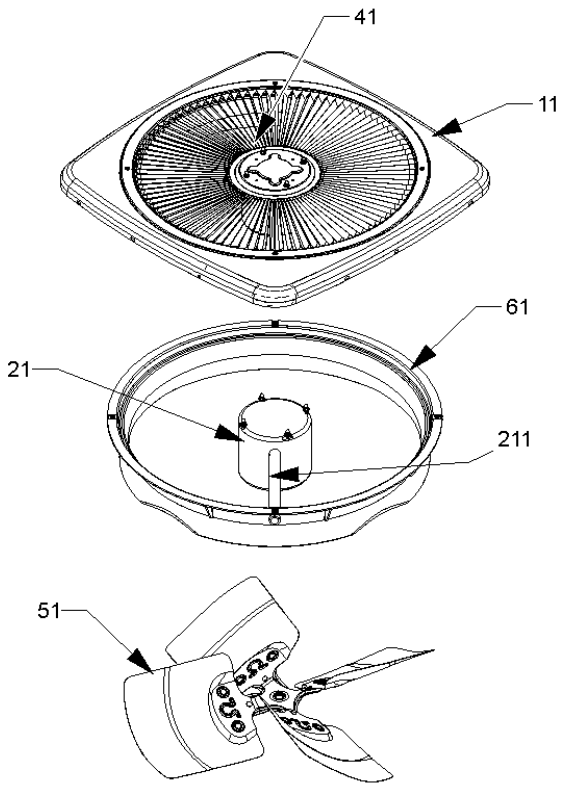


Image 1

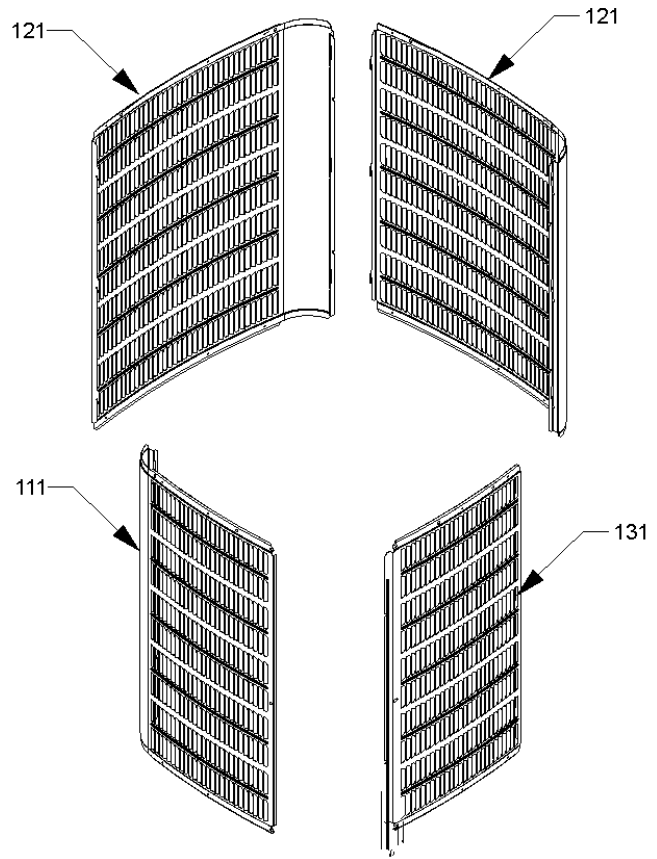
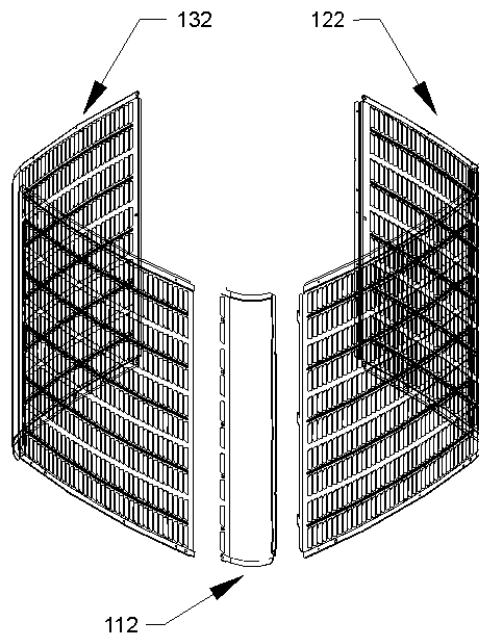


Image 2



Cabinet Top / Side Panels

**Ref. Part
No: No:**

Description:

**Ref. Part
No: No:**

Description:

Image 1:

11	4400067PDG	PANEL, LOUVER TOP PNT (M1)
11	4400092PDG	PANEL, LOUVER TOP, 35", PNT (M9, M14, M19)
11	0121R00010PDG	PANEL, TOP 29" PNT (M2, M3, M4, M5, M6, M7, M8)
11	0121R00269PDG	Top Panel, 35" Pnt (M10, M11, M12, M13, M15, M16, M17, M18, M20, M21, M22, M23, M24, M25)
21	0131M00012P	COND MOTOR 1/6 HP, 1 SP, 8 PL (M9, M10, M11, M12, M13, M14, M15, M16, M17, M18)
21	0131M00016P	COND MOTOR 1/6 HP, 1 SP, 8 PL (M3, M4, M5, M6, M7, M8)
21	0131M00060	COND MOTOR 1/6 HP, 1 SP, 8 PL (M1, M2)
21	0131M00038	COND MOTOR, 1/6HP,2 SP, 8 PL (M19, M20, M21, M22, M23, M24, M25)
41	0163M00006P	ACORN NUT 5/16 HEX BLACK (M1, M19)
51	0150M00008	FAN BLADE 22" TNT2203-25 (M2, M3, M4, M5, M6, M7, M8)
51	10625738	FAN BLADE 26" ALUM CCW (M9, M10, M11, M12, M13, M14, M15, M16, M17, M18, M19, M20, M21, M22, M23, M24, M25)
51	B1086764	FAN BLADE TYPE 2 (M1)
61	0161L00000	VENTURI RING 22" (M1, M2, M3, M4, M5, M6, M7, M8)
61	0161R00007P	VENTURI RING 35" (M9, M10, M11, M12, M13, M14, M15, M16, M17, M18, M19, M20, M21, M22, M23, M24, M25)
111	0121R00027PDG	LOUVERED SIDE PANEL [LT OF CNTL PNL] (M2, M3, M4, M5, M6, M7)
111	0121R00043PDGB	LOUVERED SIDE PANEL [LT OF CNTL PNL] (M10, M11, M12, M13, M15, M16, M17, M18, M20, M21, M22, M23, M24, M25)
111	4400131PDG	LOUVERED SIDE PANEL [LT OF CNTL PNL] (M1)
111	4400138PDG	LOUVERED SIDE PANEL [LT OF CNTL PNL] (M9, M14, M19)
121	0121R00033PDGB	LOUVERED SIDE PANEL (M2, M3, M4, M5, M6, M7)
121	0121R00047PDGB	LOUVERED SIDE PANEL (M10, M11, M12, M13, M15, M16, M17, M18, M20, M21, M22, M23, M24, M25)
121	4400133PDG	LOUVERED SIDE PANEL (M1)
121	4400140PDG	LOUVERED SIDE PANEL (M9, M14, M19)
131	0121R00039PDG	LOUVERED SIDE PANEL [RT OF CNTL PNL] (M2, M3, M4, M5, M6, M7)
131	0121R00051PDG	LOUVERED SIDE PANEL [RT OF CNTL PNL] (M10, M11, M12, M13, M15, M16, M17, M18, M20, M21, M22, M23, M24, M25)
131	4400135PDG	LOUVERED SIDE PANEL [RT OF CNTL PNL] (M1)
131	4400142PDG	LOUVERED SIDE PANEL [RT OF CNTL PNL] (M9, M14, M19)
211	0161R00002P	CONDUIT (M1, M2, M3, M4, M5, M6, M7, M8)
211	0161R00004P	CONDUIT (M9, M10, M11, M12, M13, M14, M15, M16, M17, M18, M19, M20, M21, M22, M23, M24, M25)

Expanded Model Nomenclature

M1 - SSZ160241AA
M2 - SSZ160241AB
M3 - SSZ160241AC
M4 - SSZ160241AD
M5 - SSZ160241AE
M6 - SSZ160241AF
M7 - SSZ160241AG
M8 - SSZ160241AH
M9 - SSZ160361AA
M10 - SSZ160361AB
M11 - SSZ160361AC
M12 - SSZ160361AD
M13 - SSZ160361AE
M14 - SSZ160481AA
M15 - SSZ160481AB
M16 - SSZ160481AC
M17 - SSZ160481AD
M18 - SSZ160481AE
M19 - SSZ160601AA
M20 - SSZ160601AB
M21 - SSZ160601AC
M22 - SSZ160601AD
M23 - SSZ160601AE
M24 - SSZ160601BA
M25 - SSZ160601BB

Image 2:

112	0121R00353PDG	Louver Post, PDG 34.49 (M8)
122	0121R00345PDGR	Louver Panel, PDG 29" _34.49 (M8)
132	0121R00345PDGL	Louver Panel, PDG 29" _34.49 (M8)